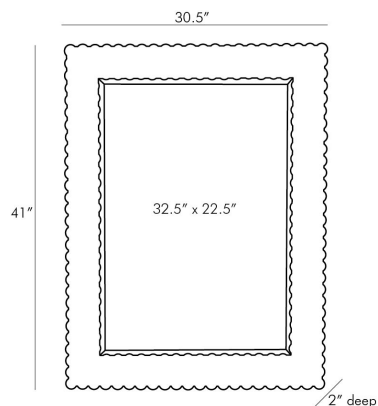


# ARTERIOS

## PAXTON MIRROR



4616

H: 41 IN, W: 30.5 IN, D: 2 IN

Black

Contract Suitable As Is

Filled with visual and tactile textures, the Paxton Mirror is a beautiful work of craftsmanship. Every single knob is hand carved from solid wood, then affixed to the frame to be finished in a rich, black stain. The look is African-inspired, but with a modern leaning. Beveled mirror. Also available in a floor length version (4615).

### APPEARANCE

Material	Mirror, Wood
Material Type	Mango
Finish	Beveled, Black Stained
Top Coat/Sealant	true

### DIMENSIONS

Mirror Size	H: 32.5 IN, W: 22.5 IN
-------------	------------------------

### SHIPPING

Shipping Requirements	TruckShip
Product Weight	34.5 LBS
Gross Weight 1	48.85 LBS
Shipping Box 1	H: 36 IN, L: 45 IN, W: 8 IN

### ADDITIONAL INFO

Features	T-Screw Hardware Included
Hanger Position	Vertical & Horizontal
Hanger Type	Security Cleat
Hanger Size	12", 24"

### CONTRACT

Contract Suitable	true
-------------------	------