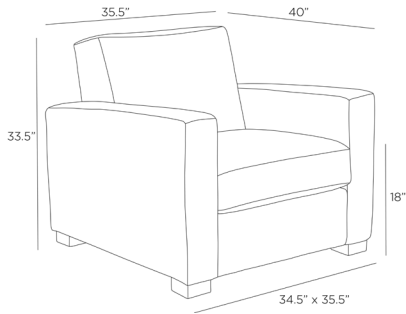


ARTERIOS

DODSON CHAIR CLOUD BOUCLÉ



FRU07

H: 33.5 IN, W: 35.5 IN, D: 40 IN

Cloud Bouclé

Contract Suitable As Is

Perfectly proportioned, a classic club chair is upholstered up and over from square back to deep seat in a cloud bouclé. Accented with low legs of ebony wood, it makes a comfortable accent for any living area.

APPEARANCE

Material	Bouclé, Wood
Finish	Grey Ash
Top Coat/Sealant	false
Textile Contract Suitability	Low Traffic/Private Spaces

DIMENSIONS

Arm	H: 24 IN, W: 6 IN, D: 37 IN
Foot Print	W: 34.5 IN, D: 35.5 IN
Leg	H: 2 IN, W: 4, D: 4
Seat Back	H: 15 IN, W: 25.5, D: 9
Seat	W: 24.5 IN, D: 23.5 IN
Seat Height	18 IN
Seat	W: 24.5 IN, D: 23.5 IN
Clearance	2"
Diagonal Dimension	52.5 IN
Seat Cushion Thickness	6 IN

SHIPPING

Shipping Requirements	TruckShip
Product Weight	90.1 LBS
Gross Weight 1	92 LBS
Shipping Box 1	H: 37.5 IN, L: 40 IN, W: 41 IN

ADDITIONAL INFO

Leg Or Foot Application	Nylon Tack Glides
Fabric Compliancy	NFPA-260, TB117-2013
Fabric Rub Count	25,000
Swatch Number	X59SW
Fabric Cleaning Code	S - dry clean only
Fabric Content	20% Acrylic, 10% Polyester, 15% Cotton, 50% Viscose, 5% Linen
Seating Type	Dacron Wrapped Foam, Rubber Webbing Seat and Seat Back
Yardage To Reupholster	6 Yards

CONTRACT

Contract Suitable	true
Fabric Composition	20% Acrylic, 10% Polyester, 15% Cotton, 50% Viscos