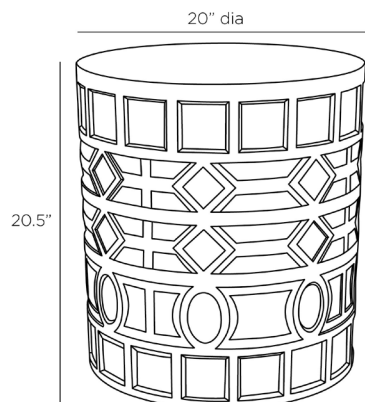


ARTERIOS

MILLENIA END TABLE

LAURA KIRAR



GKFEI01

H: 20.5 IN, Dia: 20.00 IN

Antique Brass, Aluminum

Contract Suitable As Is

This sophisticated accent table features a unique textured aluminum metal with antique brass finish. The Millenia Table's lustrous finish beautifully complements the art deco/orientalist detailing, giving it a feeling of both the past and the future. Millenia is to be used in the living room as an accent side table or as a stylish bedside companion. Finish will vary.

APPEARANCE

Material	Aluminum
Finish Will Vary	true
Top Coat/Sealant	true

SHIPPING

Product Weight	34.8 LBS
Gross Weight 1	45 LBS

ADDITIONAL INFO

Features	Sustainable
Table Tilt Test Results	Passes 15 Degrees

CONTRACT

Contract Suitable	true
-------------------	------